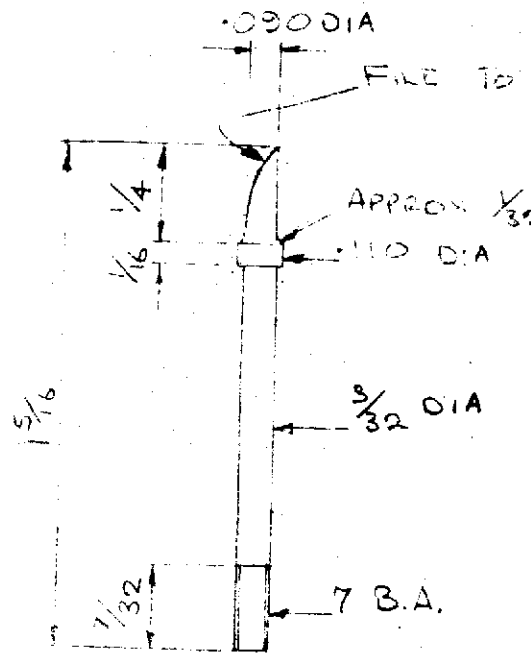
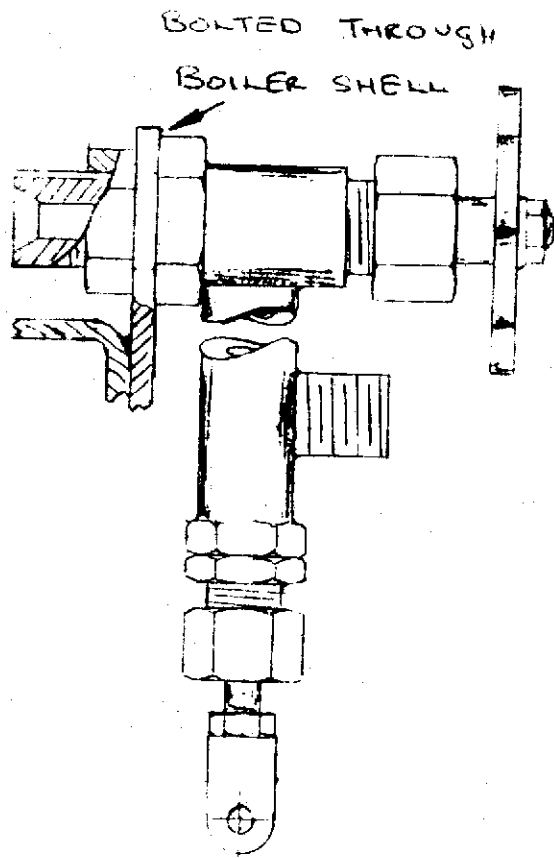


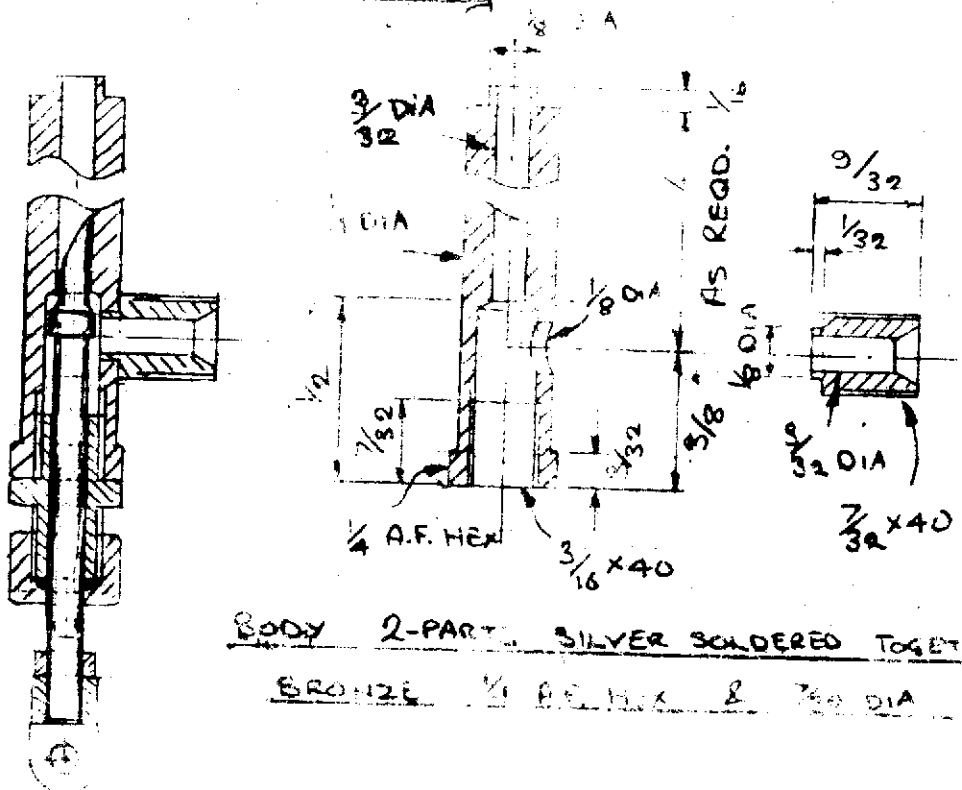
SAFETY VALVE

CHECK VALVE



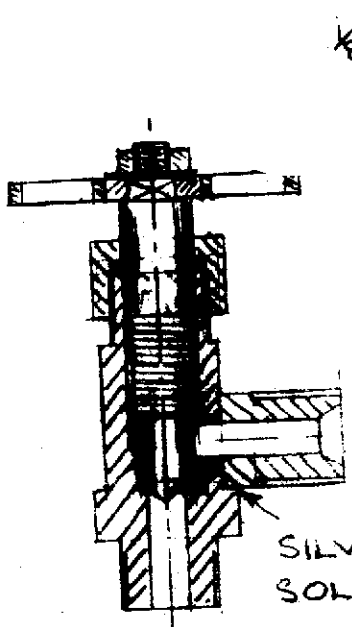
SPINDLE  
NIKKLE SILVER OR  
STAINLESS STEEL

LINEAR REGULATOR AND  
MAIN STEAM VALVE SHOW  
COMBINED INTO SINGLE FITTING

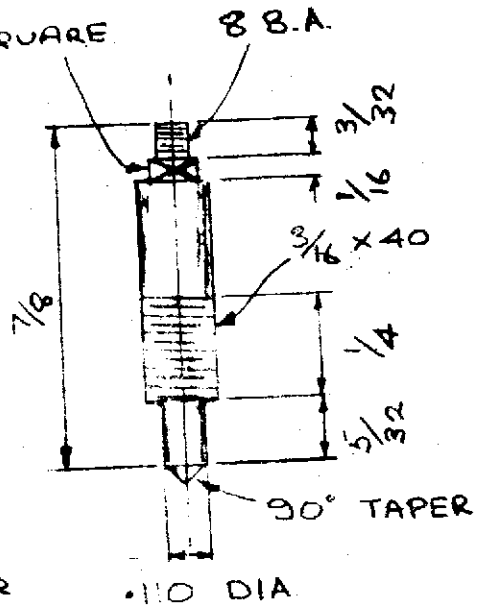


BODY 2-PART. SILVER SOLDERED TOGETHER  
BRONZE 1/4 A.F. HEX & 7/32 DIA

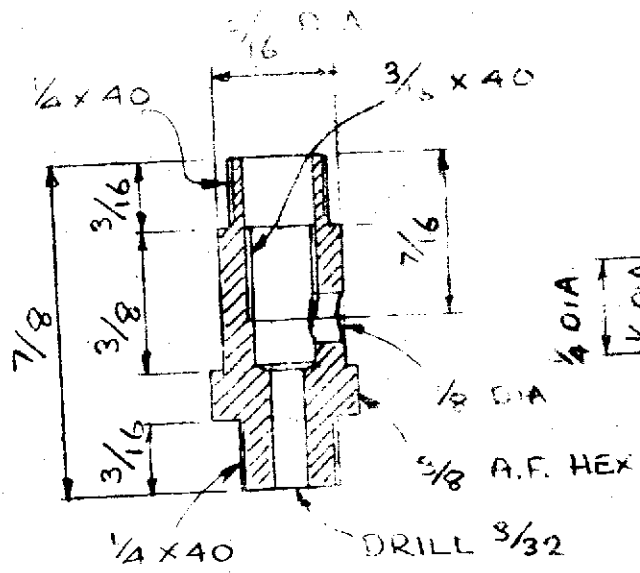
LINEAR REGULATOR



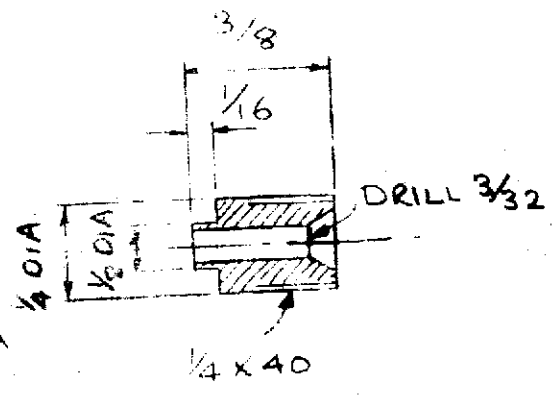
MAIN STEAM VALVE  
(FOR HORIZONTAL BOILERS)\*



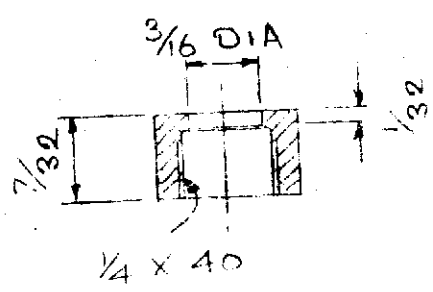
SPINDLE  
NICKEL SILVER OR  
STAINLESS STEEL 3/16 DIA



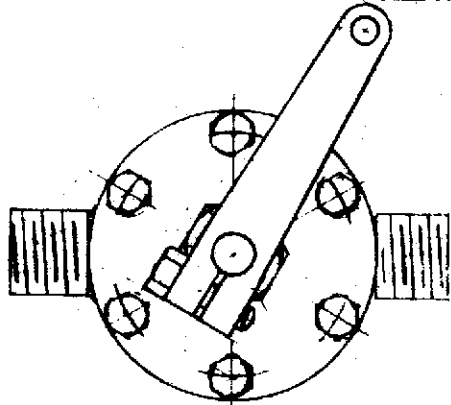
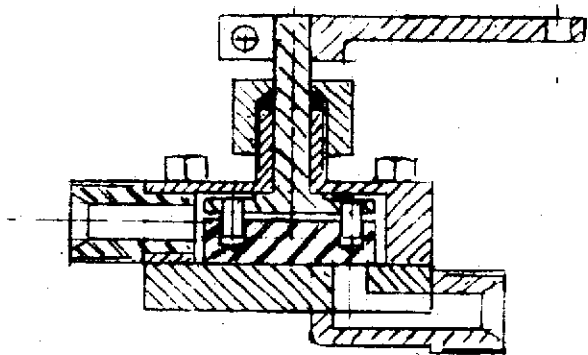
BODY. 2-PARTS SILVER SOLDER TOGETHER  
BRONZE. 3/8 A.F. HEX & 1/4 DIA



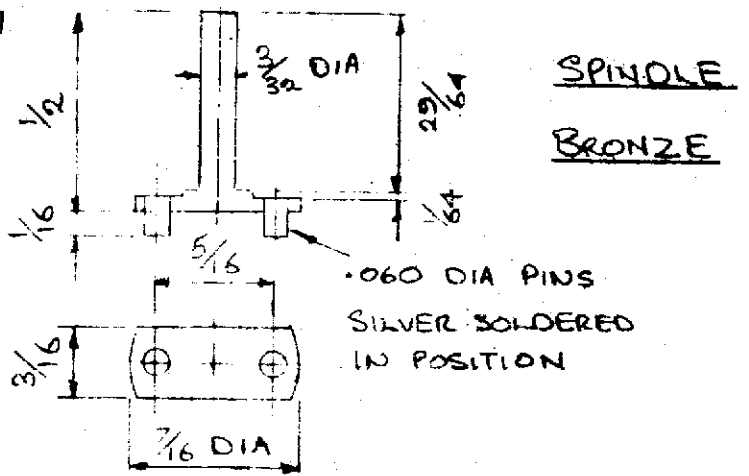
GLAND  
BRASS. 5/16 A.F. HEX



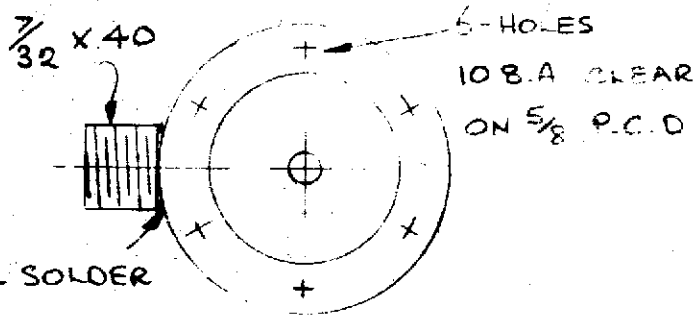
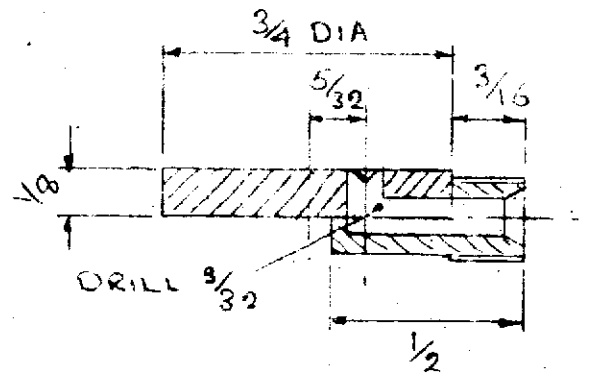
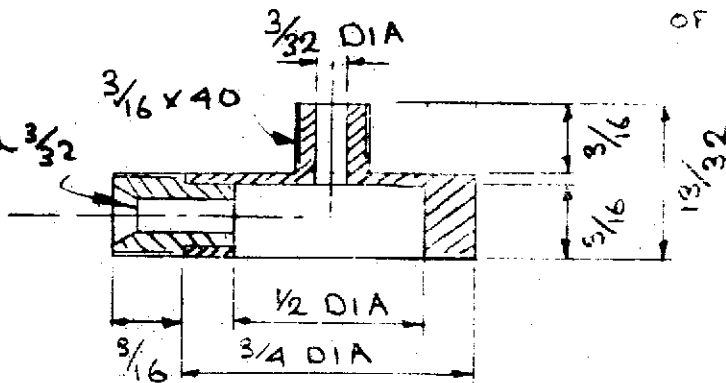
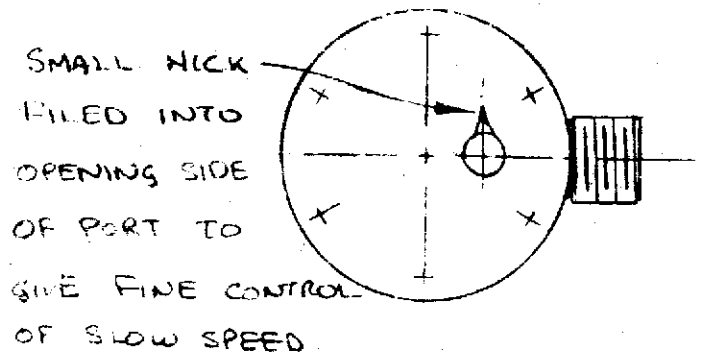
HANDWHEEL - AS FOR WATER GAUGE



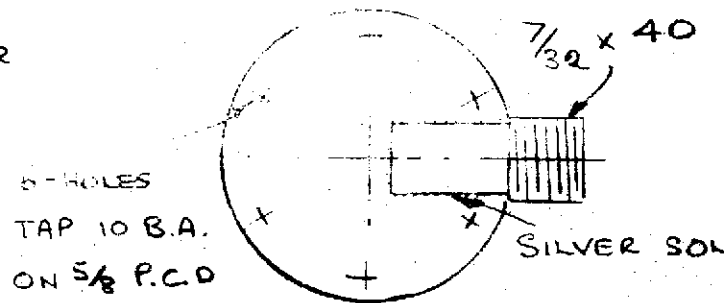
ROTARY REGULATOR



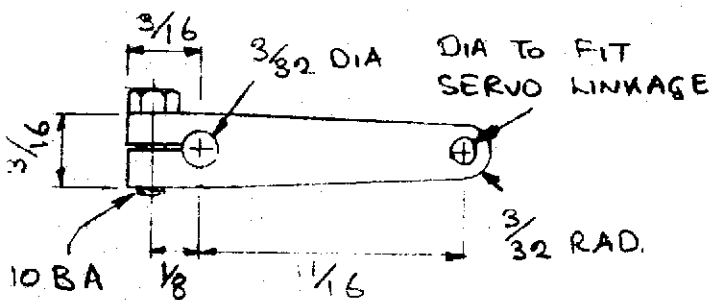
SPINDLE  
BRONZE



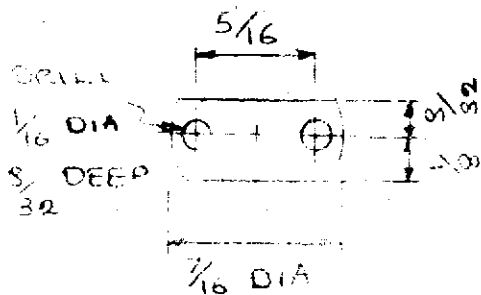
STEAM CHEST BRONZE



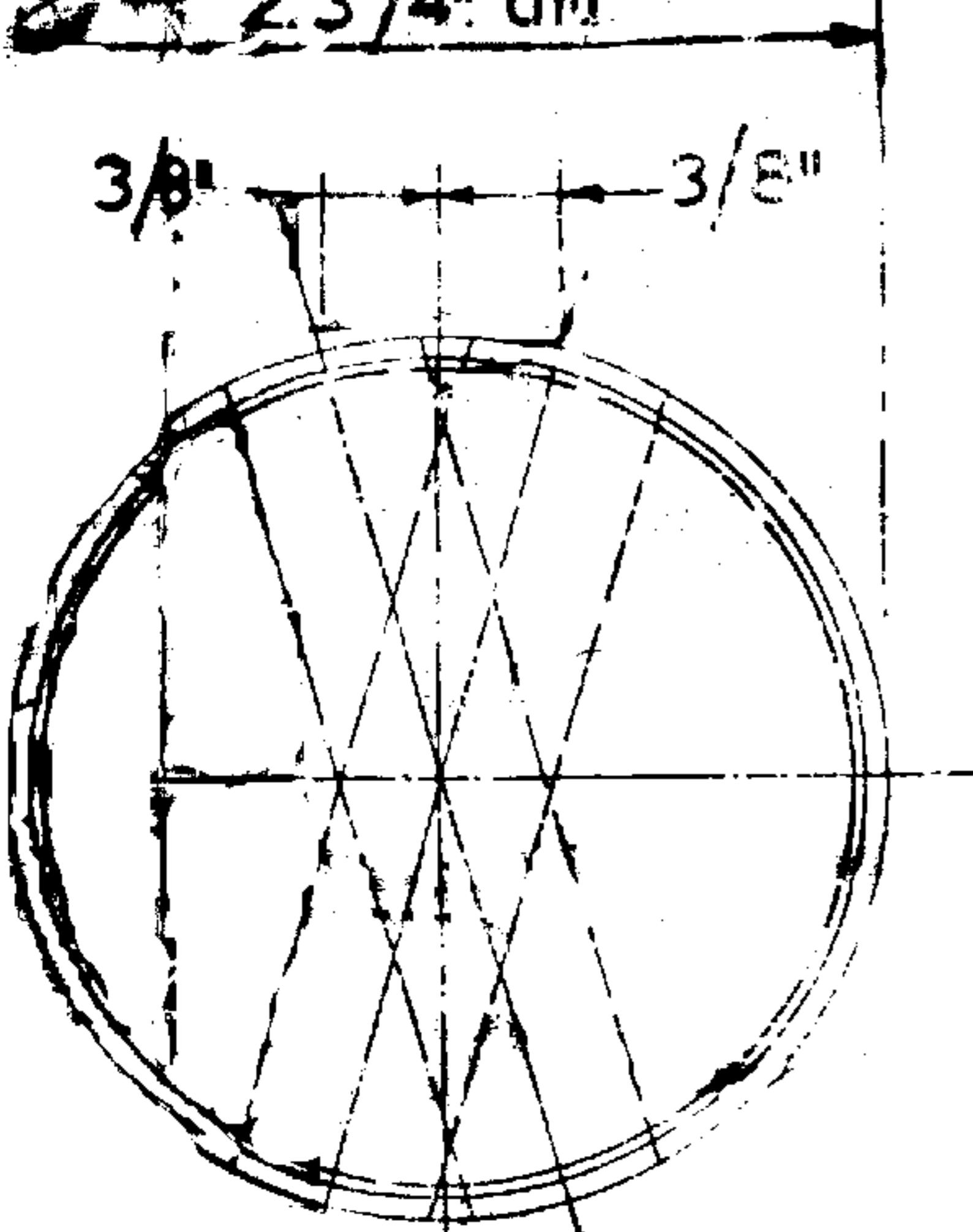
PORT FACE BRONZE



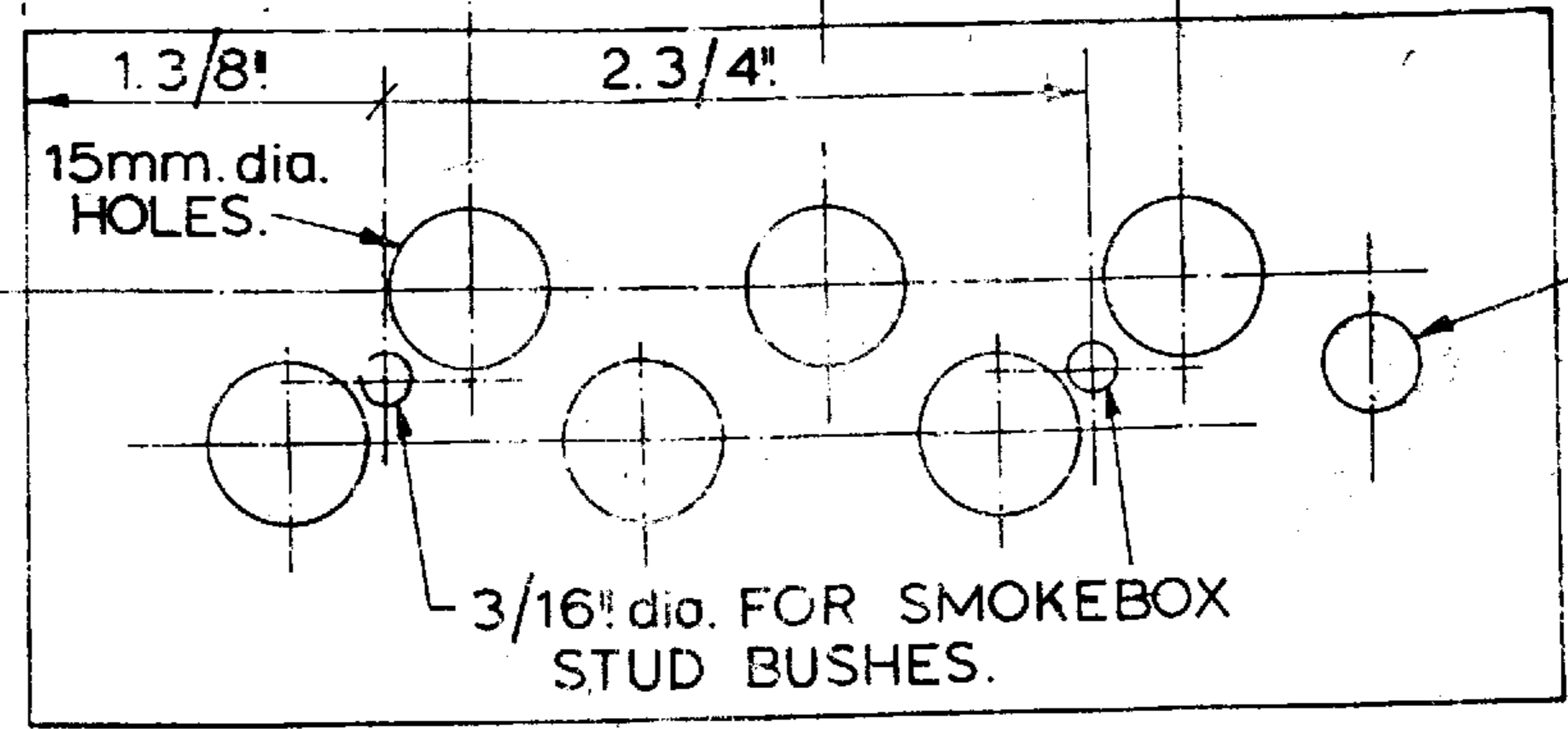
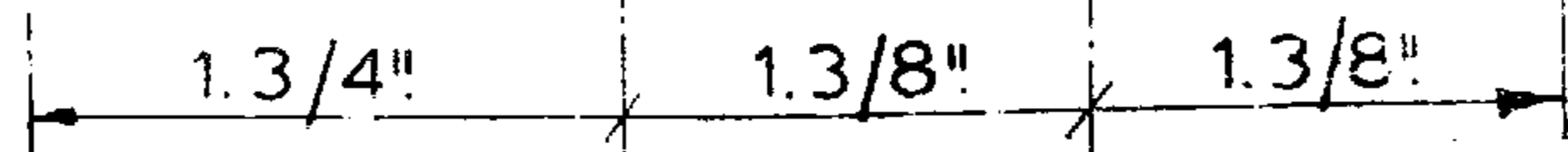
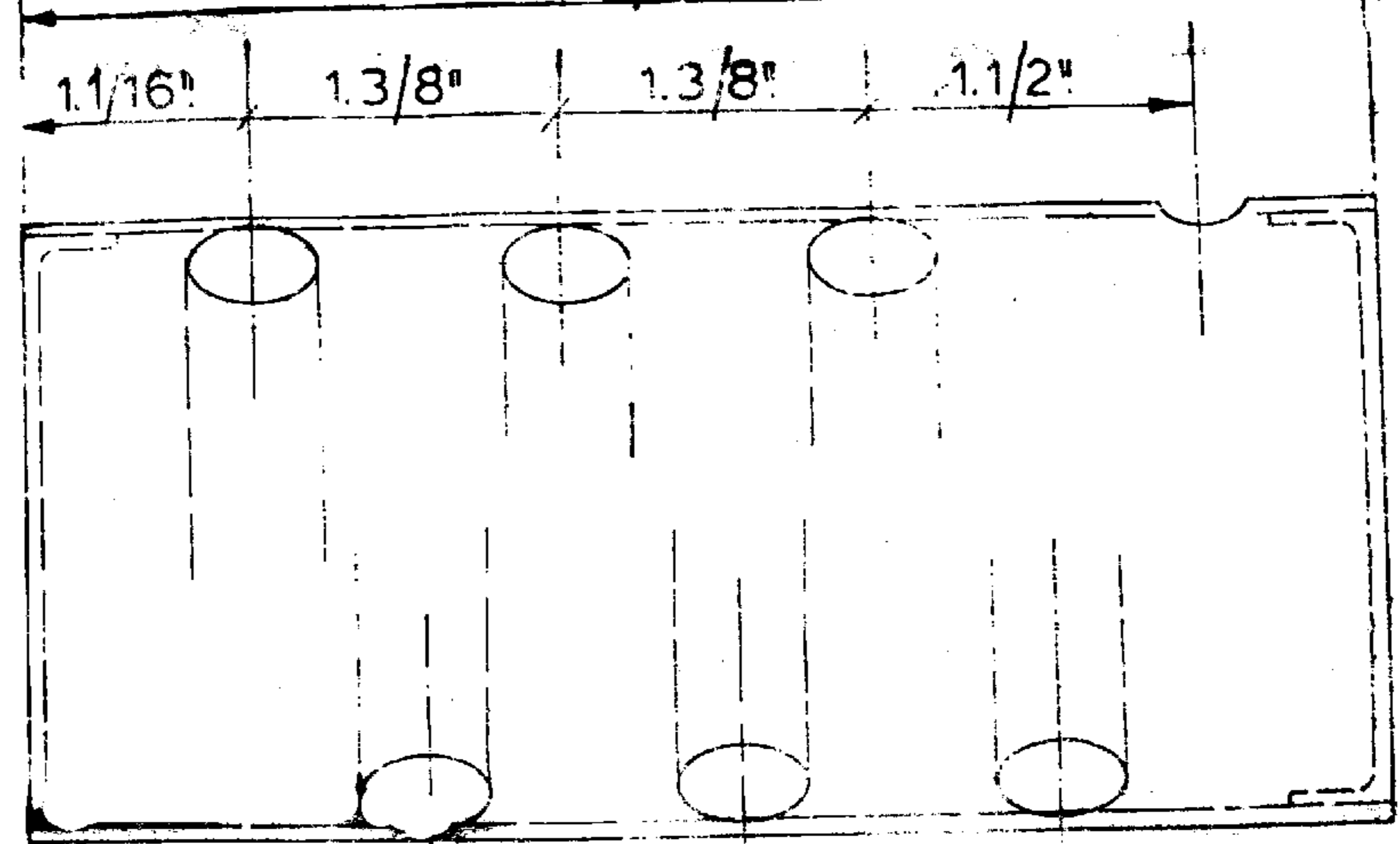
OPERATING ARM 1/3 BRASS



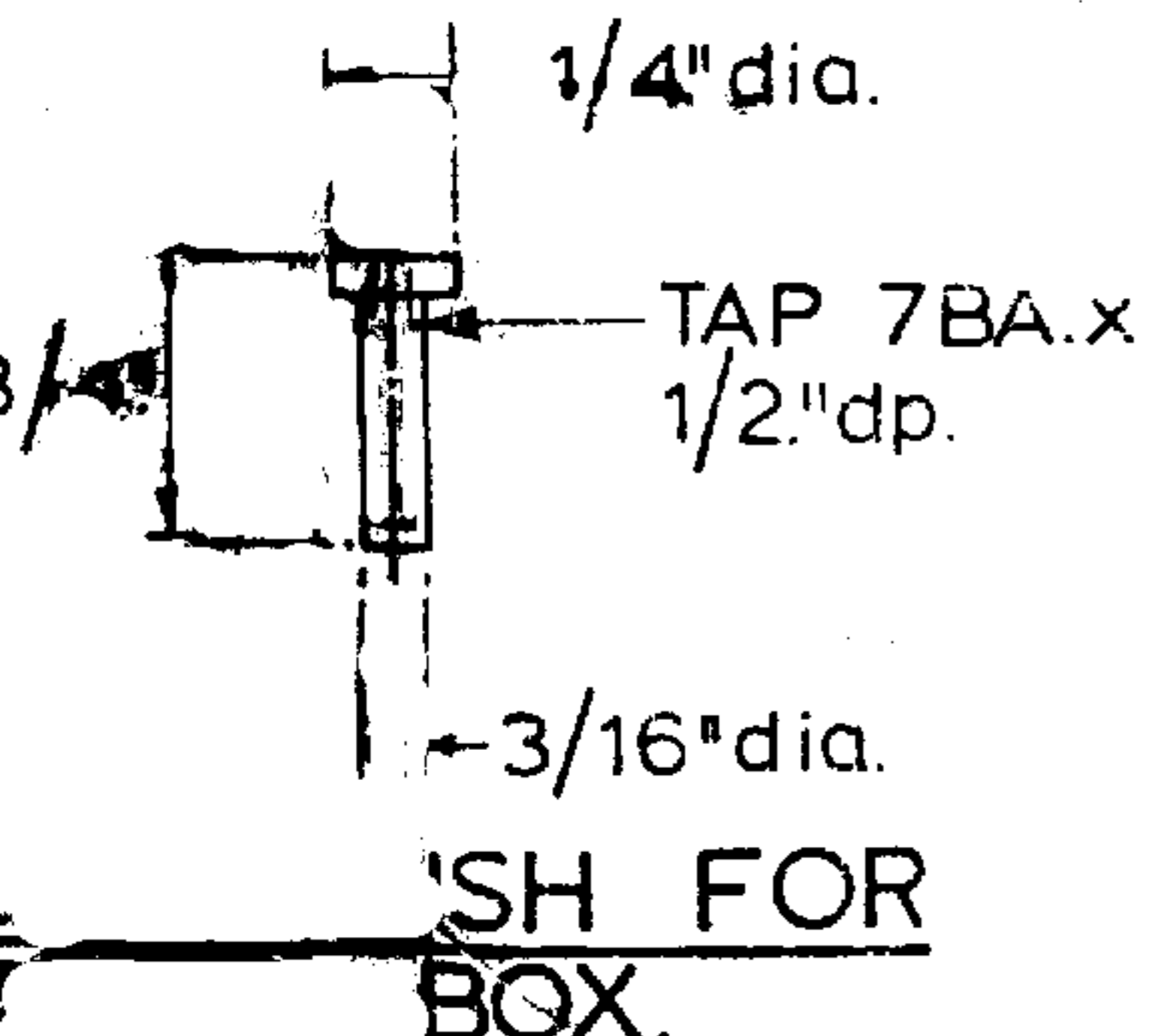
VALVE 1/8 THICK BRONZE



**B1**



3/8" dia. FOR SAFETY VALVE BUSH.

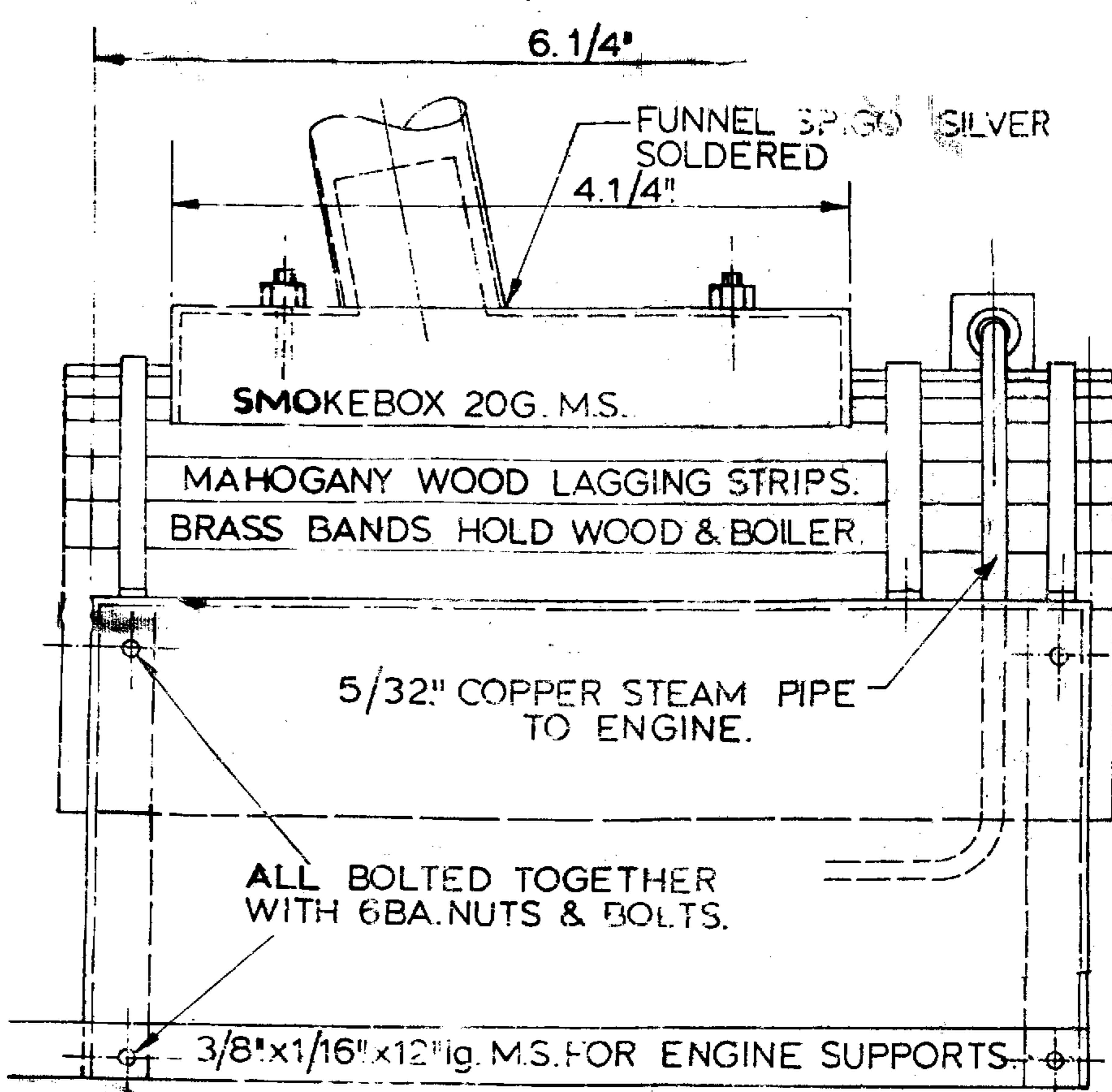
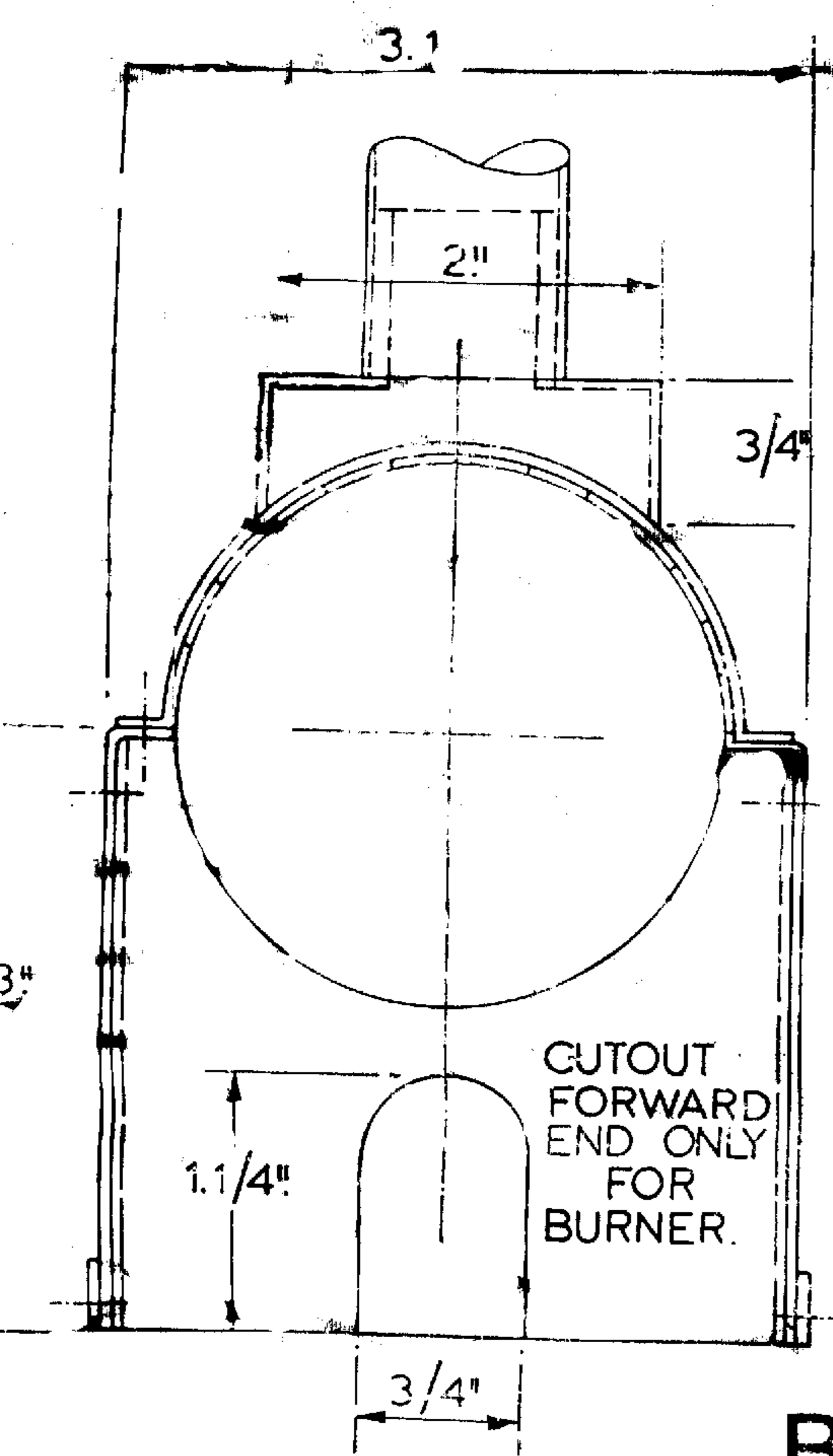


1/4" dia.

TAP 7BA.x  
1/2" dp.

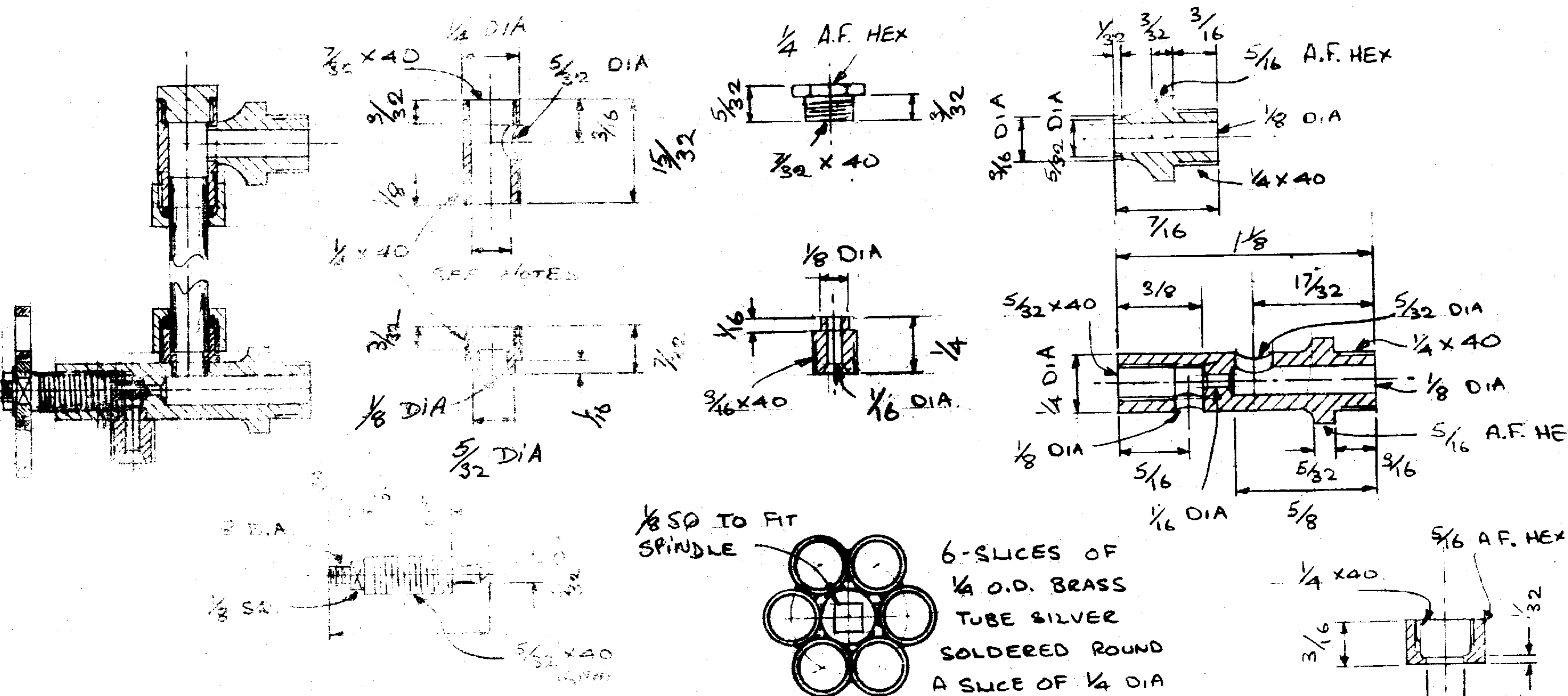
3/16" dia.

BUSH FOR  
BOX.



**B2**

BOILER CASING - 20G. MILD STEEL.



# WATER GAUGE

ALL PARTS BRONZE EXCEPT — SPINDLE — STAINLESS STEEL OR NICKLE SILVER  
 — HANDWHEEL AND GLAND NUTS — BRASS

## NOTES

GAUGE GLASS VARIES IN SIZE. ALLOW ABOUT 5 THOU CLEARANCE ON THE DIAMETER  
 THIS GAUGE WAS DESIGNED FOR THE SMALLEST 'SCHELLBACH' BLUE LINE GLASS AS SUPPLIED BY  
 CAMDEN MINIATURE STEAM SERVICES AND REEVES (3.8 TO 4.8 mm DIA.)

THE GAUGE IS MADE FROM 1/8 THIN WALL SILICONE TUBE AND THE GLAND  
 NUTS DONE UP WITH GENTLY USING ONLY THE FINGERS