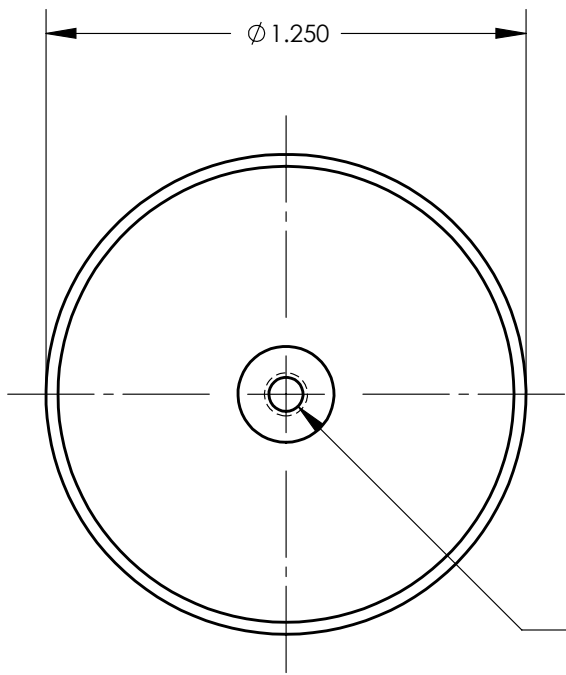


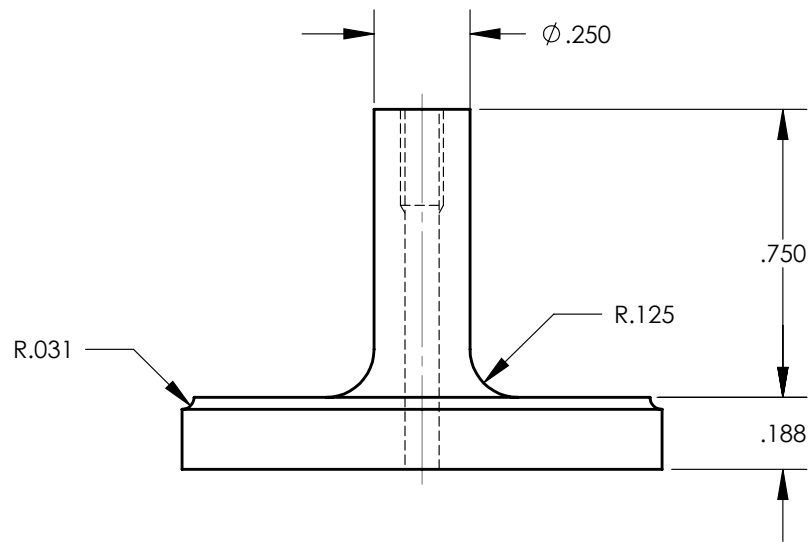
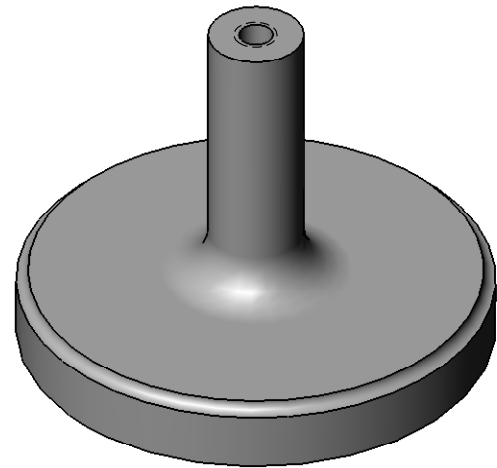
NOTES:

1. MATERIAL: 1/2" SQUARE BRASS BAR.
2. REMOVE ALL BURRS & SHARP EDGES.

ROCKING STEAM ENGINE



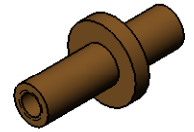
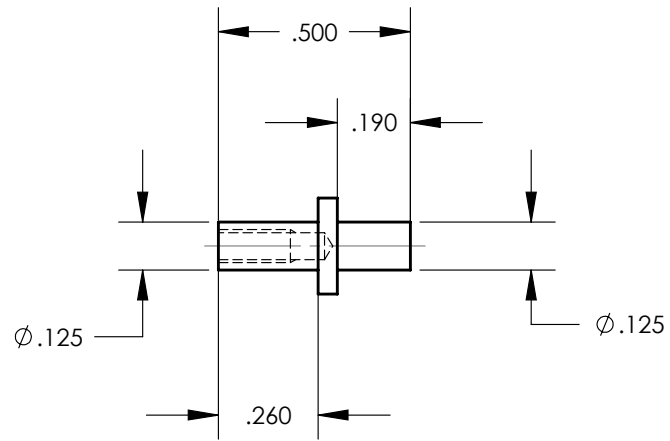
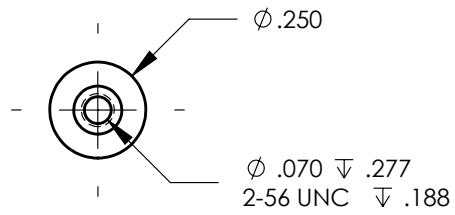
$\phi .089$ THRU ALL
4-40 UNC $\nabla .250$



NOTES:

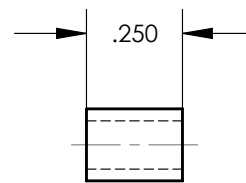
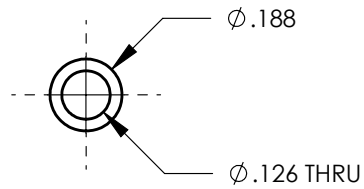
1. MATERIAL: PLAIN CARBON STEEL.
2. REMOVE ALL BURRS & SHARP EDGES.

BASE



NOTES:

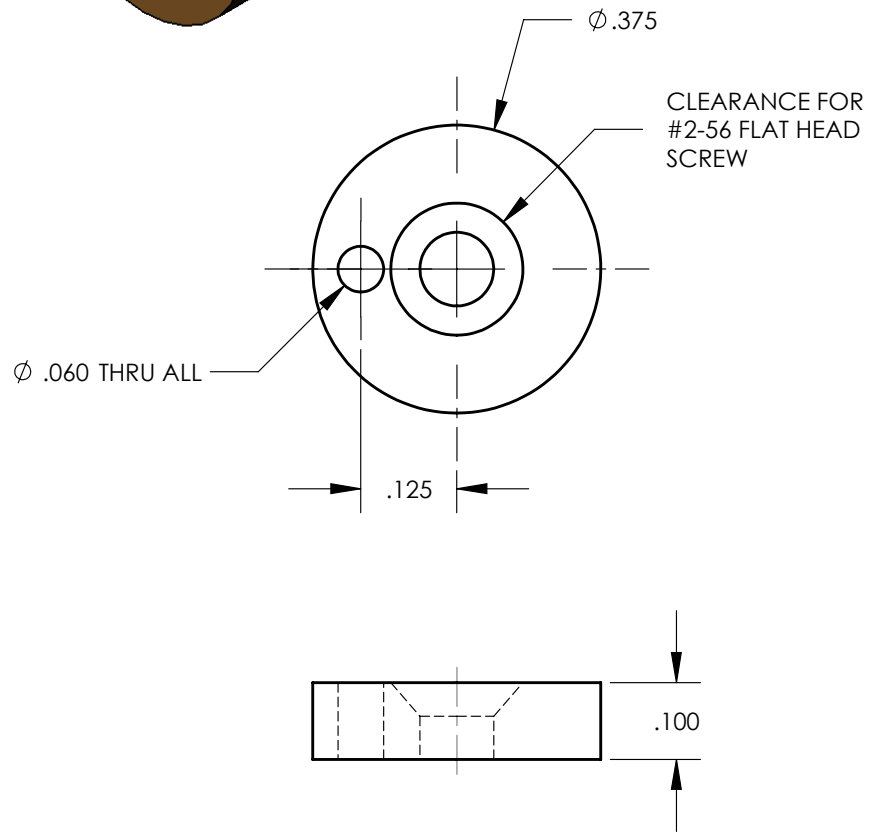
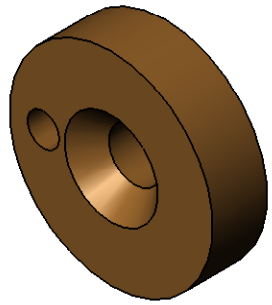
1. MATERIAL: 1/4" DIAMETER BRASS ROD.
2. REMOVE ALL BURRS & SHARP EDGES.



NOTES:

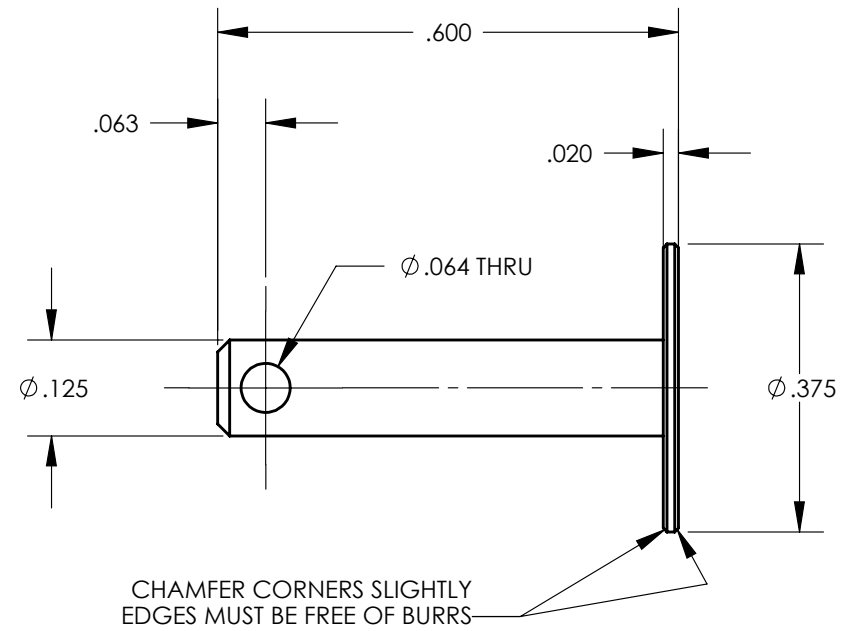
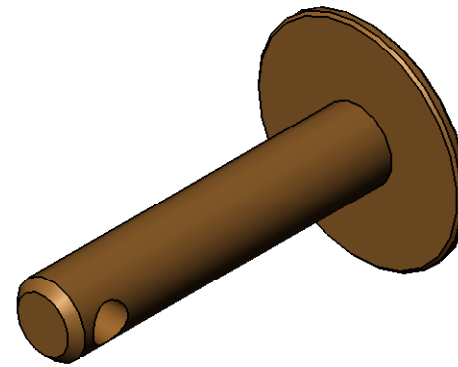
1. MATERIAL: 3/16" O.D. BRASS TUBE.
2. REMOVE ALL BURRS & SHARP EDGES.

AXLE & BUSHING



NOTES:

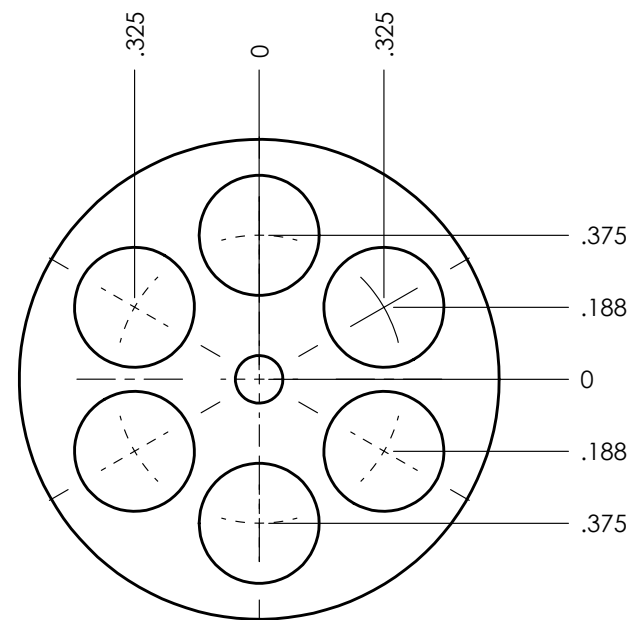
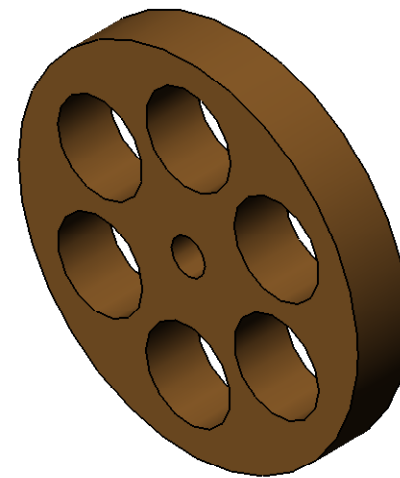
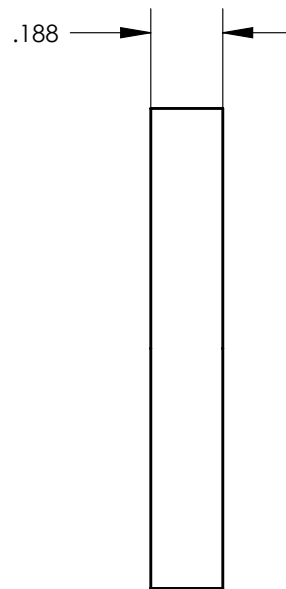
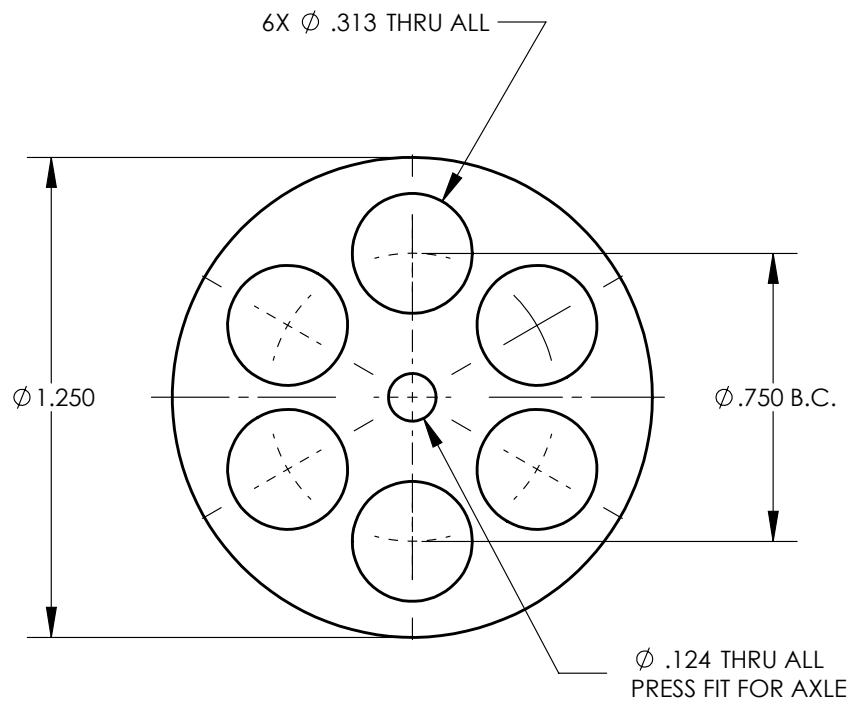
1. MATERIAL: 3/8" DIAMETER BRASS ROD.
2. REMOVE ALL BURRS & SHARP EDGES.



NOTES:

1. MATERIAL: 3/8" DIAMETER BRASS ROD.
2. REMOVE ALL BURRS & SHARP EDGES.

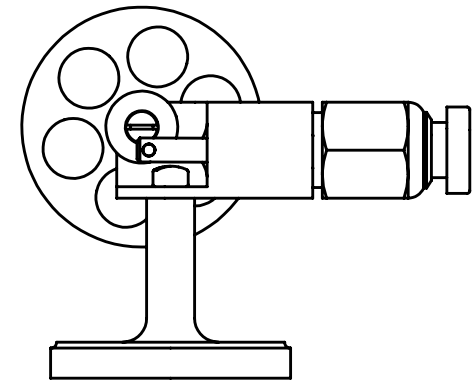
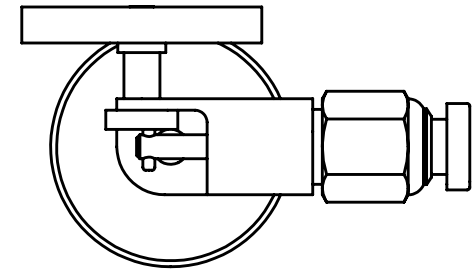
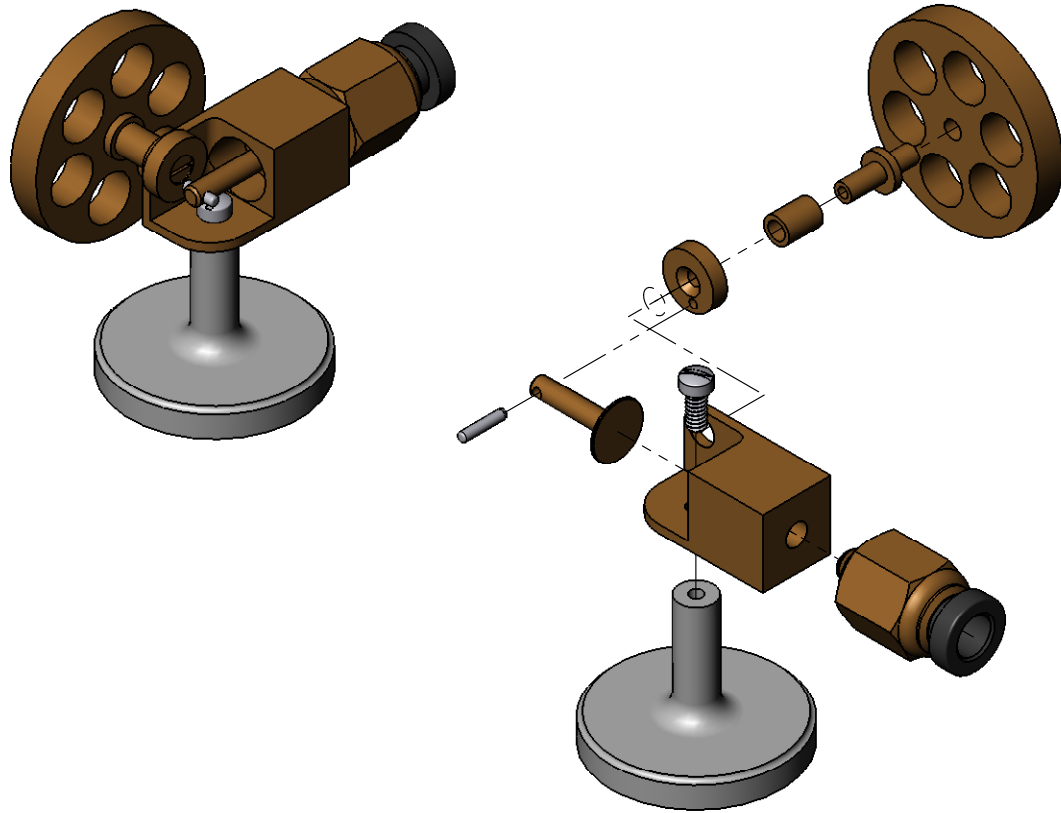
CRANK DISK & PISTON



NOTES:

1. MATERIAL: 1-1/4" DIAMETER BRASS.
2. REMOVE ALL BURRS & SHARP EDGES.

FLYWHEEL



ITEM NO.	PART NUMBER	DESCRIPTION	QTY.
1	BASE	BASE	1
2	CYLINDER	CYLINDER	1
3	CRANK DISK	CRANK DISC	1
4	PISTON	PISTON	1
5	DOWEL PIN	DOWEL PIN	1
6	BUSHING	BUSHING	1
7	AXLE	AXLE	1
8	FLYWHEEL	FLYWHEEL	1
9	90280A106	#4-40 x 1/4" LG. FILISTER HEAD SCREW	1
10	51025K324	1/4" PUSH TO CONNECT TUBE FITTING	1
11	92451A077	#2-56 x 1/4" LG. FLAT HEAD SCREW	1

ROCKING STEAM ENGINE